

WAVE HEIGHT/WAVE DIRECTION/CURRENT SPEED MESURING INSTRUMENT PAT

WAVE HUNTER08-Σ

WH-403

STANDARD OF WAVE OBSERVATION

FULL MODEL CHANGE!! 1/2 LIGHTER BY PLASTIC TANK



Under water connection is optional.

RUNNING COST DOWN!! 50% OFF!!

NEW DATA MEMORY!! Only exchanging SD card, you can take your data.

FROM THE SHALLOW TO THE DEEP SEA!! Available use from 1m to 60m (depth of water)

PRACTICAL REALTIME OBSERVATION!! Internet communication/Control unit (optional)

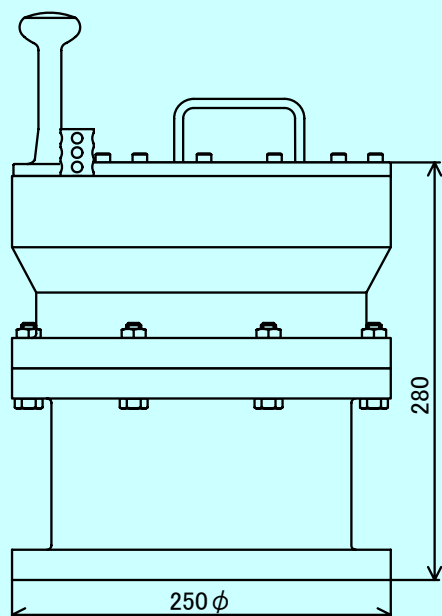
WE TAKE YOU TO THE DINAMIC OCEAN. **I.O.TECHNIC CO., LTD.**

Oceanic measurement equipment, Designing, manufacturing, and marketing

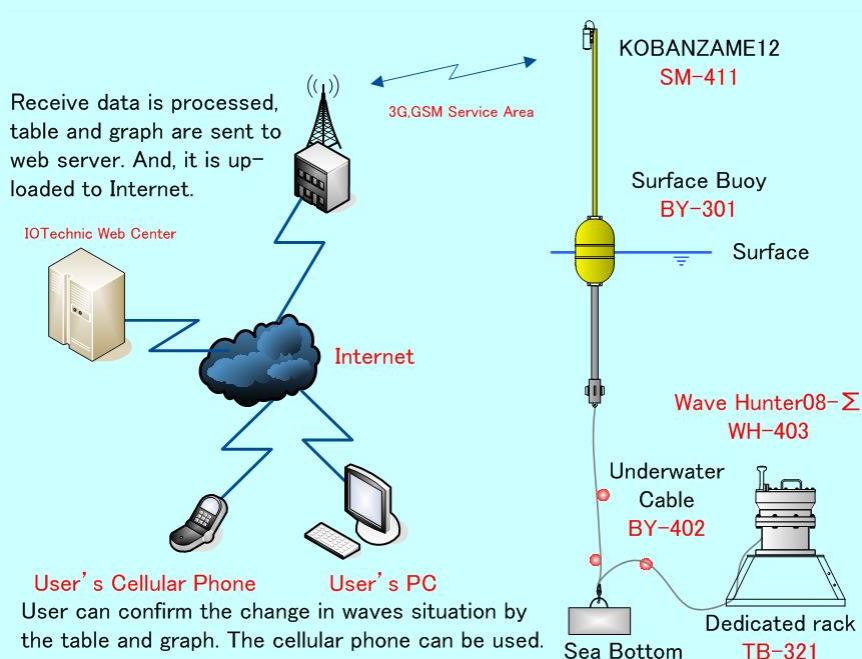
A GOOD POINT

- * Battery cost is about half of WAVE HUNTER 04-Σ (In the case of 1 month continuous observation).
- * You can simply manage SD card files with your PC.
- * You can use real time observation functions (optional) like, web watch service.
- * We divided equipment functions. You can cheaply get basic function.

OUTWARD APPEARANCE



Web WATCH SERVICE(OPTIONAL FUNCTION)



SPECIFICATION

NAME	TYPE	OUTLINE OF SPECIFICATION
WAVE HUNTER08-Σ	WH-403	Applicable depth: 1 to 60 m, range 20.5m, resolution 1 cm, accuracy $\pm 1\%$ /FS, frequency 200 kHz, radiation angle 3° Current speed: Range ± 3 m, accuracy $\pm 1\%$ /FS, resolution 1cm/s, response 40ms, door knob type X-Y electromagnetic current speed sensor Orientation: range 0~359°, accuracy $\pm 3^\circ$, resolution 1°, IC compass Water temperature : range -5~40° C, accuracy $\pm 0.1^\circ$ C, resolution 0.1° C, Platinum sensor Water pressure: range 0~7kgf/cm ² , accuracy $\pm 0.5\%$ /FS, resolution 1gf/cm ² , absolute pressure communication: COM port, communication speed: 1200~912600BPS, Available SD card*: 64MB~2GB (Windows format) dimension: 280H x 250φ (except projection parts), weight: 14kg, material : Duracon attachments: CA-410 (PC connection cable), SD card, control soft, implements etc.

OPTIONAL COMMODITY

KOBANZAME12	SM-411	This is available in the 3G, GSM service area. It uses TCP/IP, PPP. It can directory connect to the internet. Synchronized function with internet Standard time web site
Telemeter (MagicTel)	MG-111	This is an energy saving radio device.
MagicProcessorK	RA-622	This is processing and communication software. The calculation of the wave height, drawing in the graph, and file management are done.
Explorer2Web	RA-623	You need this when you do real time observation, like web watch service. You can do Wave Hunter' s control and self data taking, monitor for live data and up/down load for web server with this.
Dedicated rack	TB-321	This sets itself up at the sea bottom
Dedicated rack attachment	TB-401	For WH-403

OPTIONAL FUNCTION

Data communication function	W8-001	You need it when you do the real time observation with telemeter and KOBANZAME' s communication function.
Cable connection function	W8-002	You need this when you do the real time observation with the long distant cable data transmission.
Synchronized function	W8-003	In case of connecting several WAVE HUNTER with cables and synchronizing samplings then observing, you need this.

EXPENDABLE SUPPLY

Lithium battery pack	LB-406	3.6V 60AH
	LB-412	3.6V 120AH
	LB-421	3.6V 210AH